

Open Merchandisers Multi Purpose - Endless Design

- PRODUCT SPECIFICATIONS SHEETS



- Cases are designed to operate at 75 degrees Fahrenheit and 55% relative humidity

Remote only

R-ODA32E-6

Length with ends	72"
Length without ends	69-3/4"
Height with ends & supports	80-7/8"
Height without ends & supports	79-5/8"
Depth with ends & bumper	31-7/8"
Depth without ends & bumper	31-1/8"
(Dimensions are +/-1/4")	

- Specification subject to change without notice

Standard Specifications and Optional Features

<p>CONSTRUCTION Multi deck Foamed in place CFC free foam Heavy gauge steel super structure Endless design allows for continuous line up</p>	<p>FINISHES Designer white or black end panels Designer white or black front rail Designer white or black end trim Coated galvanized rear</p>
<p>INTERIOR Designer white or black end panels Designer white or black perforated rear wall (<i>for even air distribution</i>) Full length lighting at top of unit 5 levels of product display Stylish tag molding on each shelf</p>	<p>REFRIGERATION R404A expansion valve Low velocity fans located below deck area (<i>to insure even flow of air</i>) Air screen technology Remote only</p>
<p>EXTERIOR Designer white or black ends and front Designer white or black end trim</p>	<p>LIGHTING 1 row at inside top of unit</p>
<p>ELECTRICAL REQUIREMENTS Unit must be hard wired See technical page for voltage</p>	<p><i>Important Note: All refrigerated cases are designed to operate in an environment of 75 degrees and 55% relative humidity.</i></p> <p><i>Important Note: Product must be cooled before being displayed within the case.</i></p> <p><i>Important Note: Plumbing required</i></p>

OPTIONAL FEATURES

<p>Night covers Peg bars Insulated divider for line ups Lighted shelves</p>	<p>Stainless steel, laminate or paint Product stops on shelving Digital thermometer</p>
---	---

(ALL WHITE OR ALL BLACK, NO EXTRA CHARGE—IF COLORS ARE MIXED AN ADDITIONAL CHARGE WILL APPLY)

Technical Data

Model #		R-ODA32E-6	R-ODA32E-6-W
Length with ends Length without ends Height with ends & supports Height without ends & supports Depth with ends & bumper Depth without ends & bumper (Dimensions are +/- 1/4")		72" 69-3/4" 80-7/8" 79-5/8" 31-7/8" 31-1/8"	72" 69-3/4" 80-7/8" 79-5/8" 31-7/8" 31-1/8"
Operating temperature BTU's at +20°F Evap. Temp. Voltage Amperage Cord and plug	Remote	36°F to 40°F 9750 115V 1.4A No	36°F to 40°F 9750 115V 1.4A No
Exterior color Interior color Inside end panels Floors		Black Black Black Black	White White White White

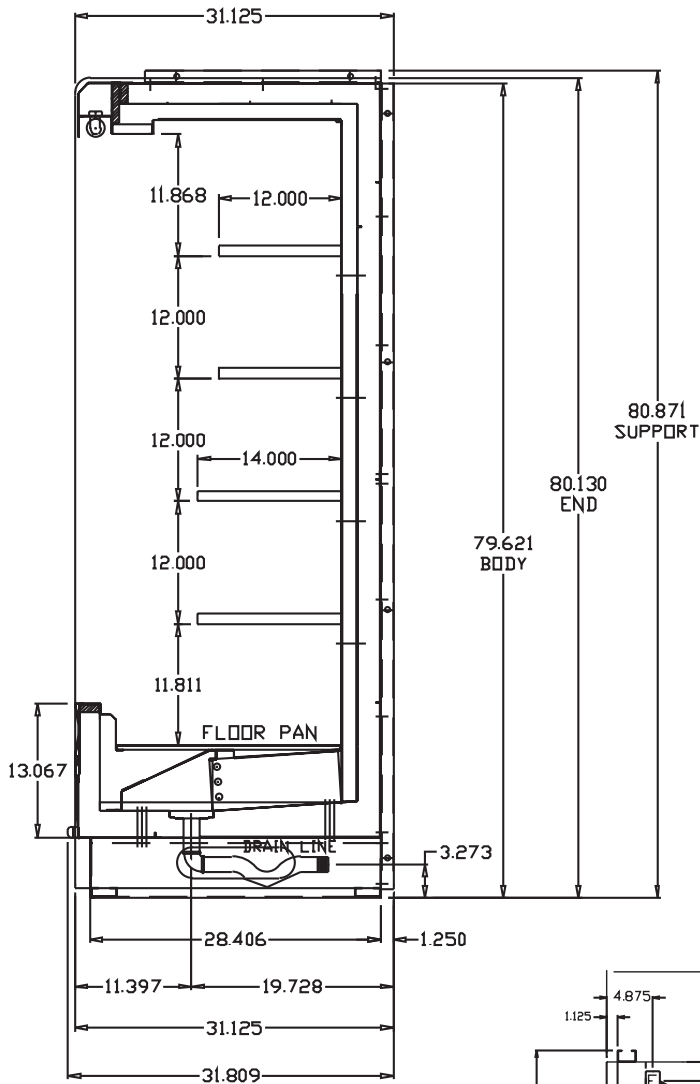
(ALL WHITE OR ALL BLACK, NO EXTRA CHARGE—IF COLORS ARE MIXED AN ADDITIONAL CHARGE WILL APPLY)

SHIPPING INFORMATION

Height Depth Length Gross weight Cubic feet	Remote	84" 44" 87" 780# 184ft ³	84" 44" 87" 780# 184ft ³
---	--------	---	---

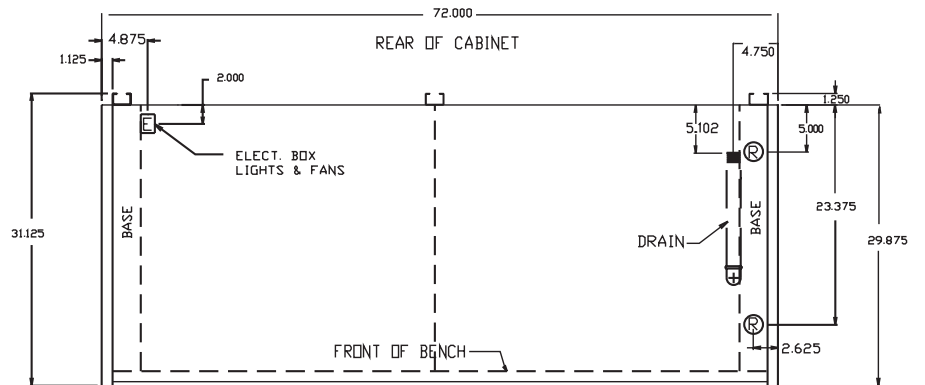
- Cases are designed to operate at 75 degrees Fahrenheit and 55% relative humidity
- Cases are equipped with drains; check your local building codes for connection requirements.
- Specification subject to change without notice

Technical Data • Side View • Plan View



Cross Section

E = ELECTRICAL JUNCTION BOX LOCATION
 R = REFRIGERATION LINE OUTLET OPTIONS
 - REFRIGERATION CONNECTIONS HAVE TO BE MADE INSIDE OF EVAPORATOR HOUSING.



Plan View