

Product Specifications Sheets



Model No.	Description	Length	Depth	Height	Voltage	Amps	HP/BTUs	Power Cord	Est. Ship Weight
SC-OD35E-3-LED-OTR	Self Contained	39"	34.5"	82.25"	115	14	1/2	5-20P	710
SC-OD35E-4-LED-OTR	Self Contained	51"	34.5"	82.25"	115/208-230	13	3/4	L14-20P	975
SC-OD35E-6-LED-OTR	Self Contained	75"	34.5"	82.25"	115/208-230	16	1	L14-20P	1185
R-OD35E-3-LED-OTR	Remote	39"	34.5"	82.25"	115	2	4906	No	575
R-OD35E-4-LED-OTR	Remote	51"	34.5"	82.25"	115	3	6542	No	790
R-OD35E-6-LED-OTR	Remote	75"	34.5"	82.25"	115	4	9813	No	1000

MODEL NUMBER SUFFIX - B = Black W = White SS = Stainless Steel

- Cases are designed to operate at 75 degrees Fahrenheit and 55% relative humidity
- Specification subject to change without notice



Standard Specifications and Optional Features

CONSTRUCTION

- UL Classified to ANSI/NSF 7
- Foamed in place CFC free foam
- Heavy gauge steel super structure
- Multi deck
- Endless design allows for continuous line up

INTERIOR

- White, black, or stainless steel end panels
- Removable white, black, or stainless steel floor pans
- White, black, or stainless steel perforated rear wall (for even air distribution)
- Full length lighting at top of unit
- 4 levels of lit shelving
- 5 levels of product display
- Stylish price tag molding on each shelf

EXTERIOR

- White, black, or stainless steel ends and front
- Removeable front grill allows for cleaning and servicing
- 1" bumper
- Choice of end panels

FINISHES

- White, black, or stainless steel end panels
- White, black, or stainless steel front rail
- White, black, or stainless steel end trim
- Laminate, and custom paints available
- Coated galvanized rear

LIGHTING

- 1 row at inside top of unit
- 4 rows of lighted shelving
- Lit Canopy

ELECTRICAL REQUIREMENTS

- Unit comes with cord and plug
- UL/CUL listed
- See Tech page for details on voltage

REFRIGERATION

- R404A expansion valve system
- Low velocity fans located below deck area (to insure even flow of air)
- Electronic Control System with automatic air defrost to Maintain Balanced Temperatures
- New high efficiency air screen technology
- Self contained system
- Copeland hermetic unit
- Remotes available

OPTIONAL FEATURES

- LED lights
- Night covers
- Security cover
- Peg bars
- Electric condensate pan, with separate plug
- Insulated divider for line ups
- Plexiglas divider for line ups
- Stainless steel, laminated or paint
- Product stops on shelving
- 3 different end panel choices
- Digital thermometer

Important Note:

All refrigerated cases are designed to operate in an environment of 75 degrees and 55% relative humidity. Product must be cooled before being displayed within the case.

DRAIN IS REQUIRED



Technical Data

Model No.	SC R	SC-OD35E-3L-LED-OTR R-OD35E-3L-LED-OTR	SC-OD35E-4L-LED-OTR R-OD35E-4L-LED-OTR	SC-OD35E-6L-LED-OTR R-OD35E-6L-LED-OTR
Length with (2) ends		39"	51"	75"
Length without ends		36"	48"	72"
Height with ends		82.25"	82.25"	82.25"
Height without ends		82"	82"	82"
Depth with ends		34.5"	34.5"	34.5"
Depth without ends		34"	34"	34"
Endless design		YES	YES	YES
(Dimensions are +/- 1/4")				
Operating temperature		36°F to 40°F	36°F to 40°F	36°F to 40°F
Refrigerant (expansion valve)	SC	R404A	R404A	R404A
Compressor size HP	SC	1/2	3/4	1
BTU's at +20°F Evap. Temp.	R	4906	6542	9813
Voltage	SC	115	115	115
Amperage	SC	14	13	16
Remote Voltage	R	115	115 / 208-230	115 / 208-230
Amperage, lights only	R	2	3	4
Cord and plug	SC	5-15P	L14-20P	L14-20P
	R	NO	NO	NO
Exterior color		W, B, SS	W, B, SS	W, B, SS
Interior color		W, B, SS	W, B, SS	W, B, SS
# of rows / shelves		4/4	4/4	4/8
Shelf Size		(4) 18"	(4) 18"	(8) 18"
Shipping Info				
Height		86"	86"	86"
Depth		44"	44"	44"
Length		61"	61"	86"
Gross weight (SC/R)		655/520	685/550	850/710
Cubic feet		100	100	142

(ALL WHITE OR ALL BLACK, NO EXTRA CHARGE—IF COLORS ARE MIXED AN ADDITIONAL CHARGE WILL APPLY)

Prefix

SC = Self Contained
R = Remote

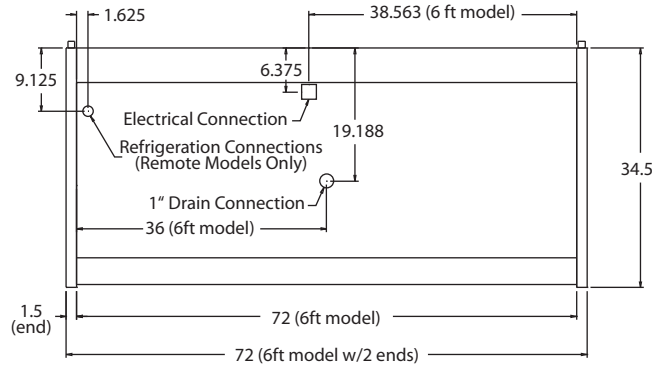
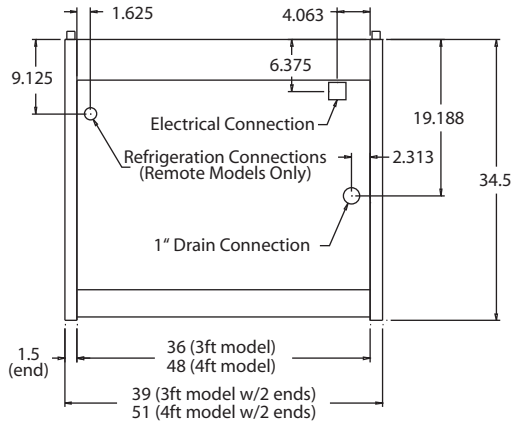
Suffix

B = Black
W = White
SS = Stainless Steel
LS = T8 lighting
LED = LED lighting

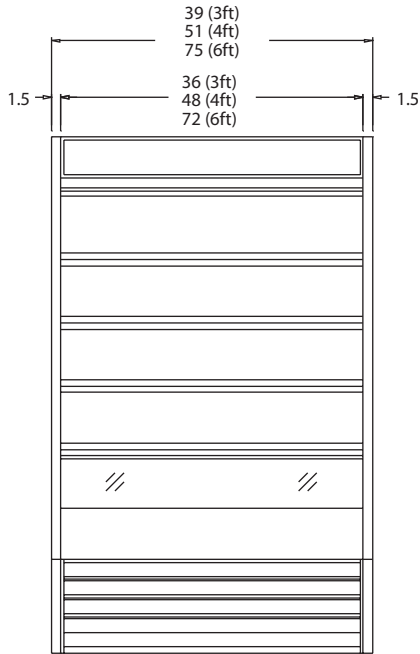
- Cases are designed to operate at 75 degrees Fahrenheit and 55% relative humidity
- Cases are equipped with drains; check your local building codes for connection requirements.
- Specification subject to change without notice



Technical Data • Side View • Plan View

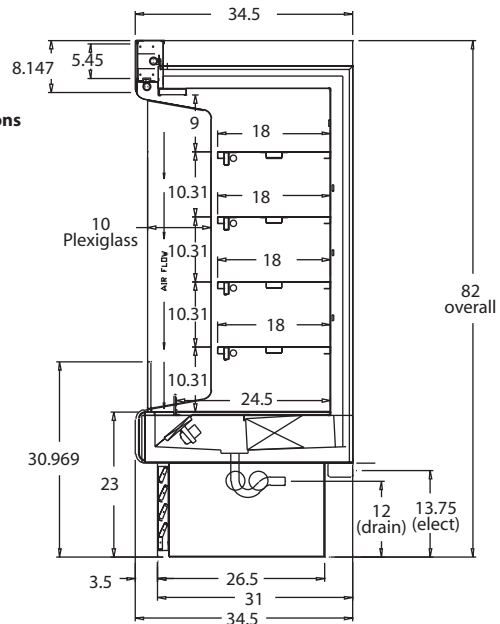


FLOOR PLANS



FRONT VIEW

Cabinet Overall Dimensions
 Height - 82
 Depth - 34.5
 Length - 3ft, 4ft, 6ft
 4 - 18" shelves
 Removeable rear spacer for air venting
 Lighted Canopy - Display
 Front Grille Straight
 Standard Bench Assembly



SIDE VIEW

